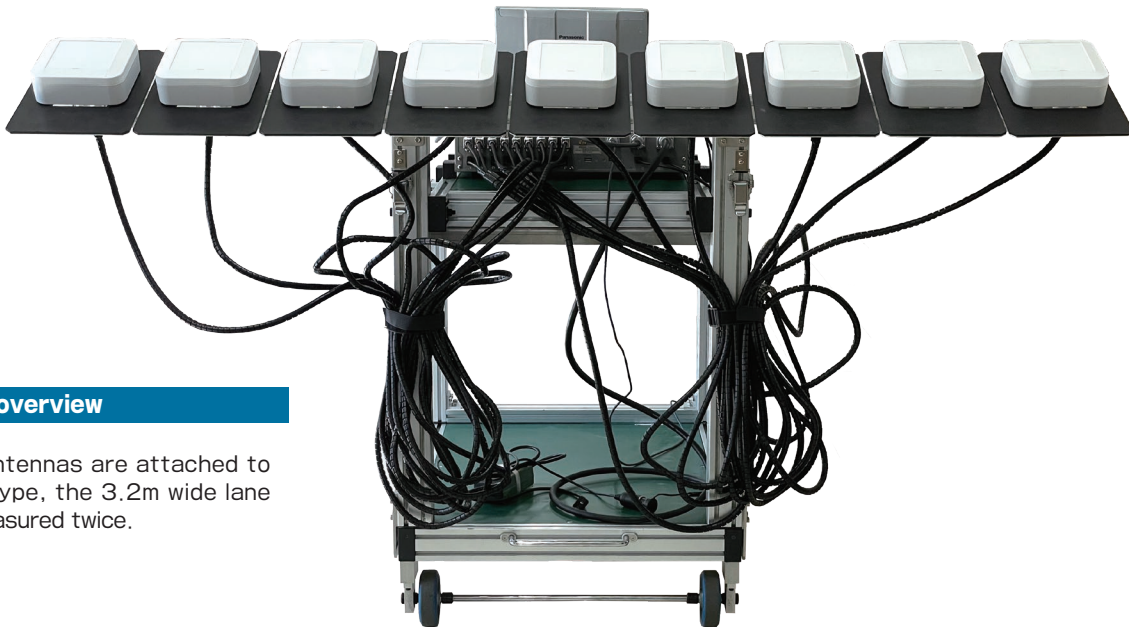


This system measures the electric field strength distribution of ETC / ITS spots with operating waves or CW in a short time and create electric field strength graphs and map diagrams. **This is an upgraded version of the conventional ME9200.**

- Measurement with a cart is possible, and the price of the ETC measurement system (9 antennas) is inexpensive.
- The electric field strength distribution of the roadside machine installed at the ETC gate of the highway is measured accurately in a short time by CW and operation wave.
- As an option, the electric field strength measurement function of the ITS spot can be added.

※Customization such as vehicle-mounted will be discussed separately.

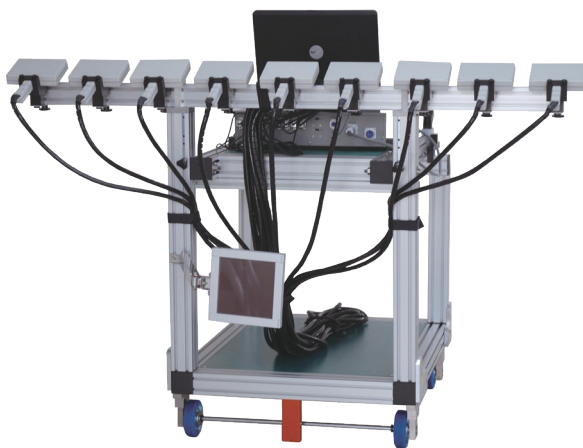
※CW:Continuous Wave



System overview

When 9 antennas are attached to the cart type, the 3.2m wide lane can be measured twice.

Comparison with the conventional ME9200



Conventional type:ME9200

ME9200



ME9200C



The integrated rear radio wave absorber reduces variations in electric field strength due to reflection.

Radio wave absorber



Since the antenna unit can be directly attached to the antenna fixing bar, the measurement preparation man-hours are reduced.

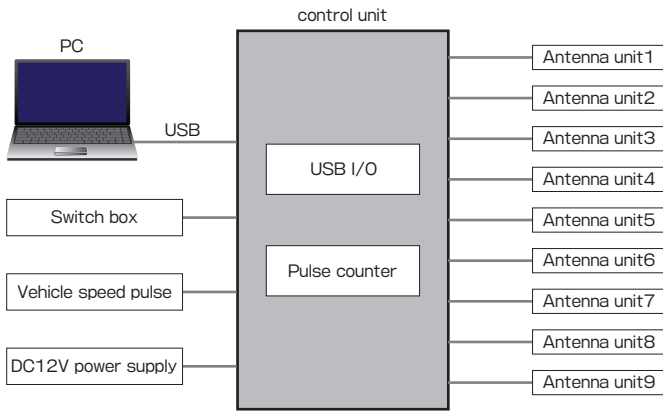


You can see the mounting operation here (Youtube)

URL:<https://youtu.be/EmFYG2mbzd0>

※The control unit and software are the same.

System composition



System

○ mark is included in the system

	ETC	ITS	Vehicle-mounted	Cart	Antenna
S11	○			○	9
S12	○	○		○	9

Standard specifications



[Antenna]

The standard is 9 pieces, and 3.2m wide lanes can be measured twice. «Antenna spacing 20 cm».

·External dimensions:

195(W)×105(D)×300(H)mm(excluding protrusions)

[Cart]

Equipped with a speed sensor, the measured distance is calculated automatically.

With 9 antennas installed, 3.2m wide lanes can be measured twice.

·External dimensions:

700(W)×1000(D)×350(H)mm(when folded)

·External dimensions:

700(W)×1000(D)×900(H)mm(when assembled)



[Control Unit]

It has a start SW and a SW that adjusts the zero point at the roadside machine position.

Requires DC12V or AC100V power supply. An AC/DC converter is included as standard.

·External dimensions:

430(W)×450(D)×101(H)mm(excluding protrusions)

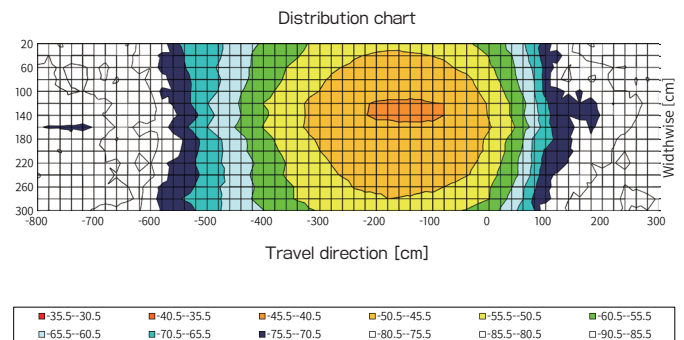
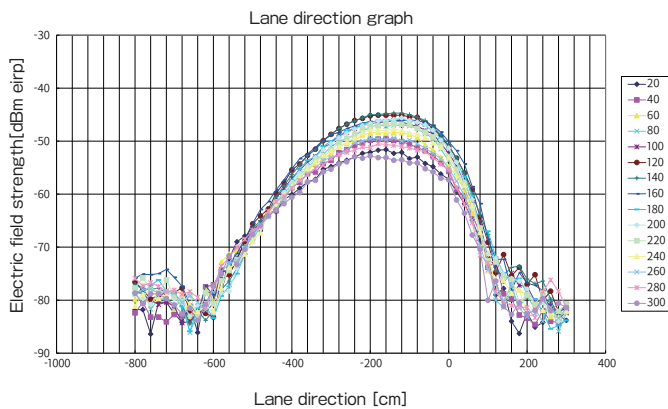


[PC Software]

It controls the control unit and immediately displays the measured electric field strength value in a graph or map diagram.

Electric field strength measurement example

The ME9200 software running on a PC controls the control unit to perform measurements, and automatically collects, analyzes, and displays data.



Option

Product name	Description
Trunk for antenna unit	A trunk for storing 9 antenna units and a switch box. Useful for storage and transportation.
Trunk for control unit	A trunk for storing the control unit and cables. Useful for storage and transportation.
Laptop for control	Includes software installation work for ME9200.
Two-wave simultaneous measurement function	It is a function that measures the specified two frequencies at the same time in one run.

*MICRONIX Corporation reserves the right to make change in design, specification and other information without prior notice.

MICRONIX

MICRONIX CORPORATION

2987-2, KOBIKI-CHO, HACHIOJI-SHI, TOKYO 193-0934 JAPAN

TEL : +81-42-637-3667 FAX : +81-42-637-0227

URL : <https://micronix-jp.com/english/> E-mail : micronix_e@micronix-jp.com

AGENCY